

Quick Start Guide

PTM-101 Tilt Wall Mount

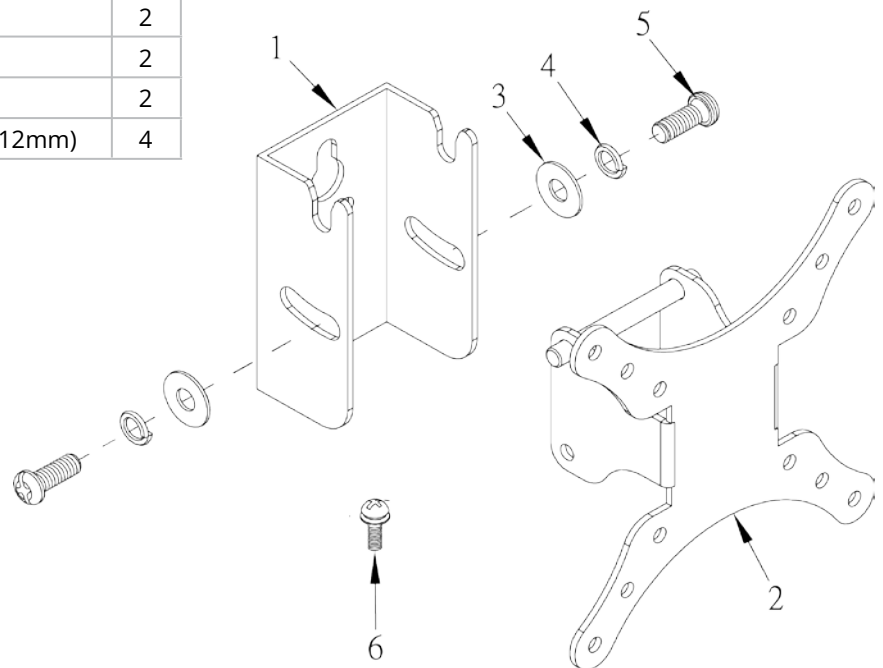
This printed quick guide provides a quick walkthrough of the set up process.

TECHNICAL SPEC

Net weight	0.4 kg (0.88 lbs)	
Dimension (W * H * D)	116 mm x 116 mm x 66 mm (4.56" x 4.56" x 2.59")	
Screw type	M4	
Material	Steel	
Hinge module	Tilt Torque adjustment	-5° ~ 20° (free angle) Available
Display support	Mounting pattern Panel size support Support weight	100 mm x 100 mm / 75 mm x 75 mm / 50 mm x 50 mm < 28" 15 kg (33.06 lbs)
Distance to wall	66 mm (2.59")	
Safety lock	N/A	
Anti-theft lock	N/A	

BOX CONTENT

Item	Parts	Q'ty
1	Wall Bracket	1
2	Fixed Plate	1
3	Washer (1/4")	2
4	Spring Washer (1/4")	2
5	Screw (RH 1/4" - 2 UNC * L 5/8")	2
6	Screw for monitor (M4 * P0.7 * L 12mm)	4



MOUNTING AND INSTALLATION

- 1 Mount the Wall Bracket (1) on to the wall.
 - for wooden structure, self-tapping screws are recommended.
 - for brick structure, use 7.5 mm drill bit to open a 50 mm depth hole to hammer in wall anchors, then install screws. Self-tapping screws are recommended.
- 2 Install Screw for monitor (6) into the Fixed Plate (2) to lock the the mount screw-holes located at the back of the digital signage.
- 3 Hook the bar on the back of the Fixed Plate (2) on to bar holder at the top of the Wall Bracket (1).
- 4 Place one of the Screws (5) through a Spring Washer (4), a Washer (3), and then insert it through the hole on one side of the Wall Bracket (1), with Fixed Plate (2) hooked.
- 5 Repeat step 4 to complete installing the other side of the Wall Bracket (1), with Fixed Plate (2) hooked.
- 6 Adjust the tilt of the Fixed Plate (2) to the angle desired and then fasten the Screws (5) on both sides of the Wall Bracket (1), with Fixed Plate (2) hooked, to complete the PTM-101 mounting installation.

PRODUCT PHOTOS



Hooking Fixed Plate (2) to Wall Bracket (1)



Screws (5) through a Spring Washer (4), a Washer (3)



PTM-101 intalled



Digital signage tilted upwards



Digital signage tilted downwards